



Art. Nr.: ASK 41.3 ASK 41.3



Dimensions:

Bus bar 1 in mm:	40x12
Bus bar 2 in mm:	32x18
Round conductor in mm:	26
Width in mm:	60
Height in mm:	75,5
Depth in mm:	48

Technical Data:

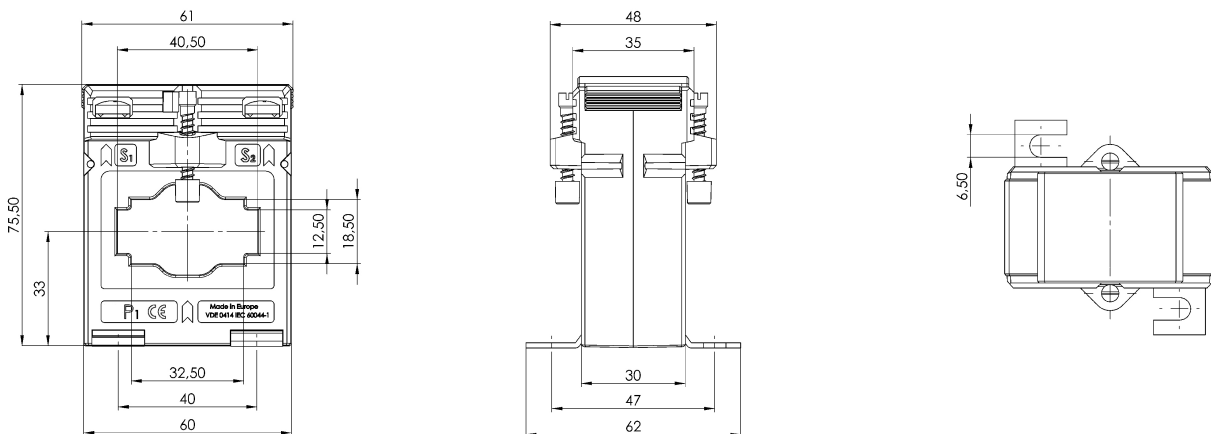
Therm. nominal continuous current I_{cth} :	$1,0 \times I_{pr}$
Therm. nominal short-time current I_{th} :	$60 \times I_{pr}$, 1 Sek.
Max. operating voltage U_m :	0,72 kV
Isolation test voltage:	3 kV, U_{eff} , 50 Hz, 1 Min.
Nominal rated frequency:	50/60 Hz
Isolation class:	E

General Technical Data:

Over-current limiting factor:
Working temperature range:
Storage temperature range:
Unbreakable plastic housing made of black polycarbonate
Nickel-plated secondary terminals with plus-minus nickel-plated screws
Custom tariff number
Applied standards 1
Applied standards 2

See rating plate
 $-5^{\circ}\text{C} < T < +50^{\circ}\text{C}$
 $-25^{\circ}\text{C} < T < +70^{\circ}\text{C}$
Flame resistant, ultrasonically welded
M5x10mm
85043129
DIN EN 61869-1/2
DIN EN 42600-1/2

Technical Drawing:



Contact:

MBS AG - Eisbachstrasse 51 - D-74429 Sulzbach-Laufen - www.mbs-ag.com
Tel.: +49 7976 9851-0 - Telefax: +49 7976 9851-90 - verkauf@mbs-ag.com

Date: 09.03.2022